

1. Application

JR29 series thermal overload relay is mainly suitable for A.C. electric power system with volt-age up to 660V, current up to 500A, 50/60Hz. It is generally used for the protection of overload and phase-lacking in circuits with three-phase induce motors and is often made up electromagnetic starters with CJX8 series A.C. contactors. The product conforms to IEC60947-4-1 standard. Note: JR29-16 is manually reset automatic to the other.



2. Specification

2.1 Motion Characteristic: Three-phase Balance Motion Time

| No | Times the setting current | Motion time | | | Start condition | Ambient temperature |
|----|---------------------------|-------------|--------------|-------|---|---------------------|
| 1 | 1.05 | >2h | | | cold state | 20°C±5°C |
| 2 | 1.2 | <2h | | | heat state (Following the No.1 test) | |
| 3 | 1.5 | <4min | | | | |
| 4 | 7.2 | 10A | 2s< TP ≤ 10S | ≤ 63A | cold state | |
| | | 10 | 4s< TP ≤ 10S | ≤ 63A | | |

2.2 Phase-losing Motion Characteristic

| No | Times the setting current | | Motion time | Start condition | Ambient temperature |
|----|---------------------------|---------------|-------------|---|---------------------|
| | Any two phase | Another phase | | | |
| 1 | 1.0 | 0.9 | >2h | cold state | 20°C±5°C |
| 2 | 1.15 | 0 | <2h | heat state (Following the No.1 test) | |

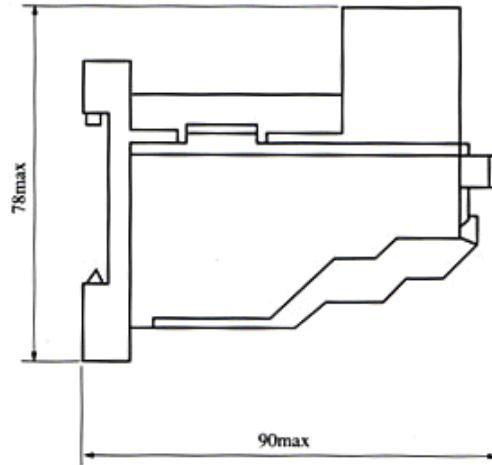
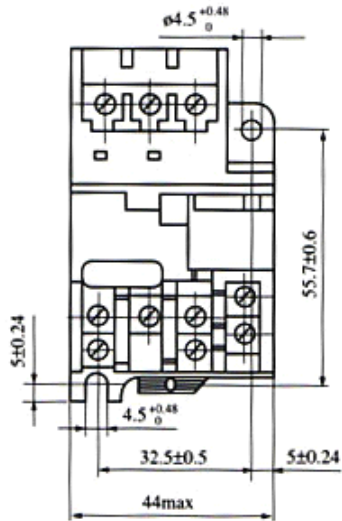
2.3 Specification

| Type | Setting Range(A) | For Contactor | Type | Setting Range(A) | For Contactor |
|---------|------------------|--------------------|---------|------------------|--------------------|
| JR29-16 | 0.11~0.16 | CJX8-09 CJX8-16 | JR29-25 | 0.1~0.16 | CJX8-25 CJX8-30 |
| | 0.14~0.21 | | | 0.16~0.25 | |
| | 0.19~0.29 | | | 0.25~0.4 | |
| | 0.27~0.4 | | | 0.4~0.63 | |
| | 0.35~0.52 | | | 0.63~1 | |
| | 0.42~0.63 | | | 1~1.4 | |
| | 0.55~0.83 | | | 1.3~1.8 | |
| | 0.7~10. | | | 1.7~2.4 | |
| | 0.9~1.3 | | | 2.2~3.1 | |
| | 1.1~1.5 | | | 2.8~4 | |
| | 1.3~1.8 | | | 3.5~5 | |
| | 1.5~2.1 | | | 4.5~6.5 | |
| | 1.7~2.4 | | | 6~8.5 | |
| | 2.1~3 | | | 7.5~11 | |
| | 2.7~4 | | | 10~14 | |
| | 3.4~4.5 | | | 13~19 | |
| | 4~6 | | | 18~25 | |
| | 5.2~7.5 | | | 24~32 | |
| | 6.3~9 | | | - | |
| | 7.5~11 | | | - | |
| 9~13 | - | | | | |
| 12~17.6 | - | | | | |

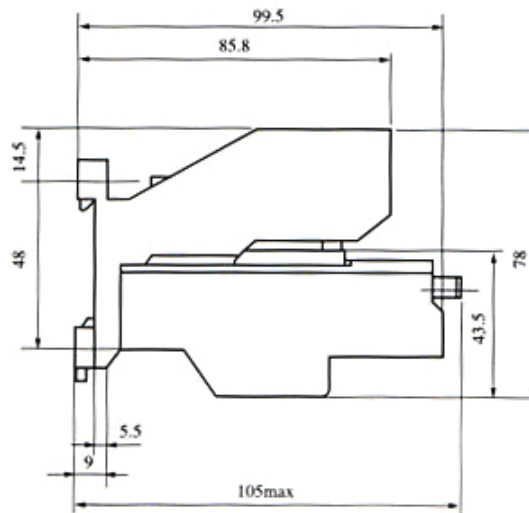
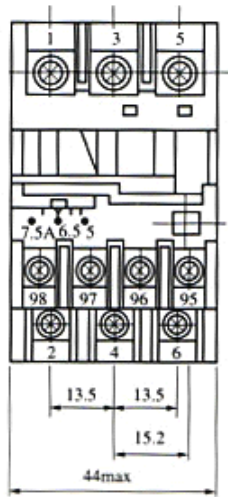
| Type | Setting Range(A) | For Contactor | Type | Setting Range(A) | For Contactor |
|---------|------------------|--------------------|----------|------------------|--------------------|
| JR29-45 | 0.28~4 | CJX8-37 CJX8-45 | JR29-85 | 6~10 | CJX8-65 CJX8-85 |
| | 0.35~0.52 | | | 8~14 | |
| | 0.45~0.63 | | | 12~20 | |
| | 0.55~0.83 | | | 17~29 | |
| | 0.7~1 | | | 25~40 | |
| | 0.86~1.3 | | | 35~55 | |
| | 1.1~1.6 | | | 45~70 | |
| | 1.4~2.1 | | | 60~100 | |
| | 1.8~2.5 | | JR29-105 | 27~42 | CJX8-105 |
| | 2.2~3.3 | | | 36~52 | |
| | 2.8~4 | | | 45~63 | |
| | 3.2~5.2 | | | 57~82 | |
| | 4.5~6.3 | | | 70~105 | |
| | 5.5~8.3 | | | 80~115 | |
| | 7~10 | | JR29-170 | 90~130 | CJX8-170 |
| | 8.6~13 | | | 100~160 | |
| | 11~16 | | | 140~200 | |
| | 14~21 | | JR29-250 | 100~160 | CJX8-250 |
| | 18~27 | | | 160~250 | |
| | 25~35 | | | 250~400 | |
| 30~45 | JR29-370 | 100~160 | CJX8-370 | | |
| - | | 160~250 | | | |
| - | | 250~400 | | | |
| - | | 310~500 | | | |

3. Installation

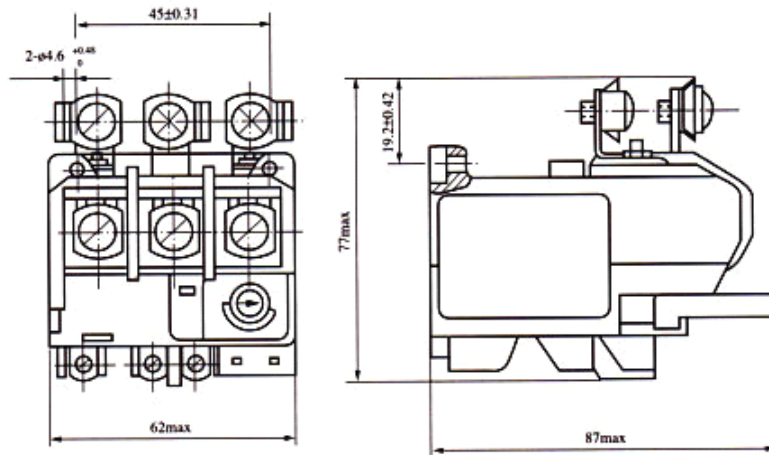
3.1 Outline and Mounting Dimension



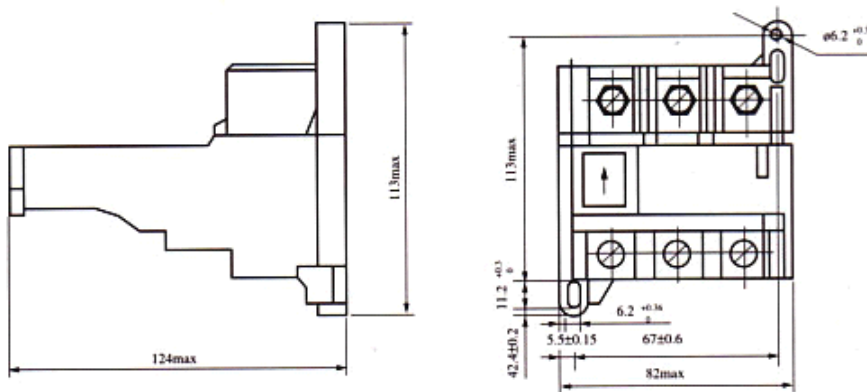
JR29-16 Independent installation



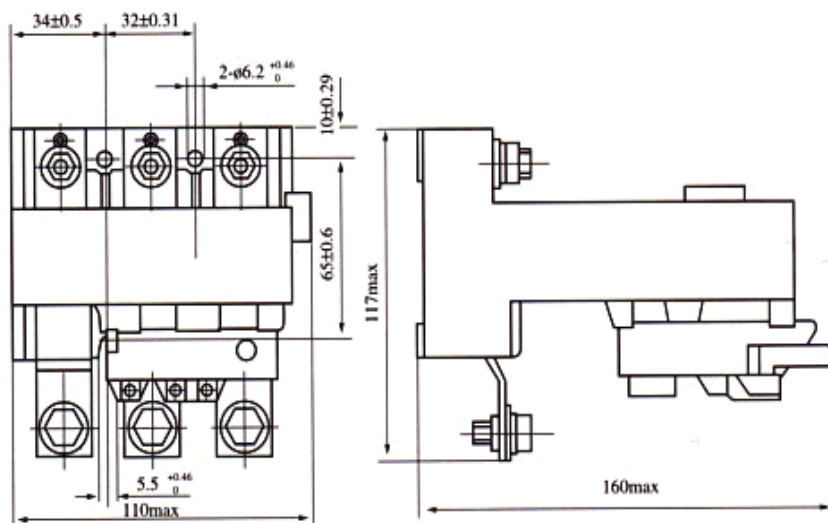
JR29-25 Independent installation



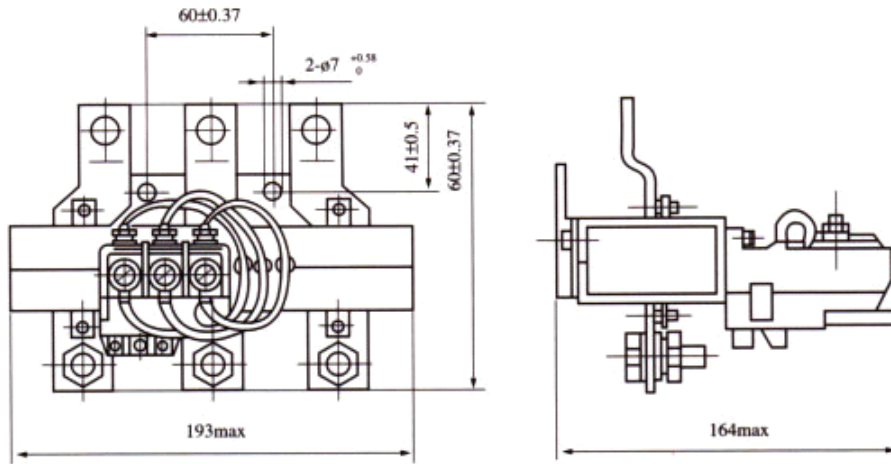
JR29-45 Independent installation



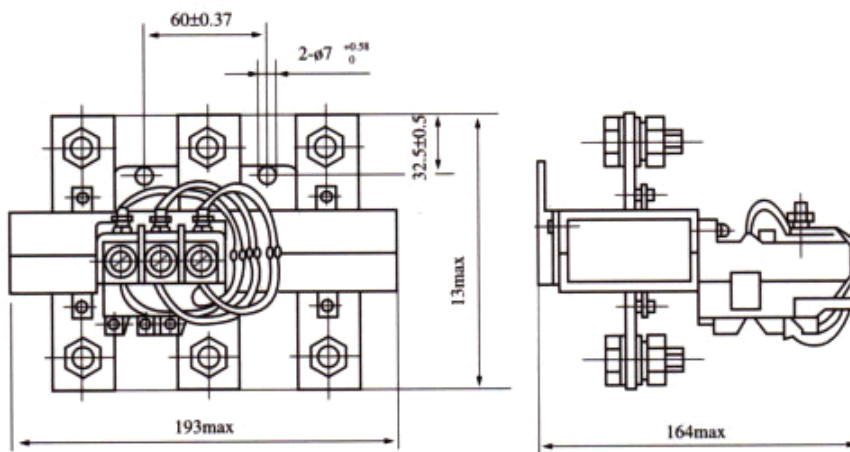
JR29-85 Independent installation






JR29-105 Independent installation



JR29-250 Independent installation



3.2 Accessories

| | | | |
|-------------|---|---|---|
| Pic |  |  |  |
| Description | JR29-16 mounting base | JR29-25 mounting base | JR29-75 mounting base |
| Application | Assembled with JR29-16 to form a complete set | Assembled with JR29-25 to form a complete set | Assembled with JR29-75 to form a complete set |