

1. Application

JR36 series thermal relay is suitable for AC 50Hz or 60Hz, main circuit rated voltage up to 660V, current up to 160A, used as protecting AC three-phase motor against overload, and has the functions of breaking phase protection, temperature compensation. It can automatically and manually reset, too. The product conforms to GB14048.4, IEC60947-4 standard.



KIRTU SHIHAI KIRTUN
ELECTRICAL EQUIPMENT GROUP

2. Specification

2.1 Main Technical Specifications

Type	JR36-20	JR36-32	JR36-63	JR36-160
Setting Range(A)	0.25~0.35	10~16	14~22	40~63
	0.32~0.5	14~22	20~32	53~85
	0.45~0.72	20~32	28~45	75~120
	0.68~1.1		40~63	100~160
	1~1.6			
	1.5~2.4			
	2.2~3.5			
	3.2~5			
	4.5~7.2			
	6.8~11			
	10~16			
14~22				

2.2 MOTION CHARACTERISTIC:THREE-PHASE BALANCE MOTION TIME

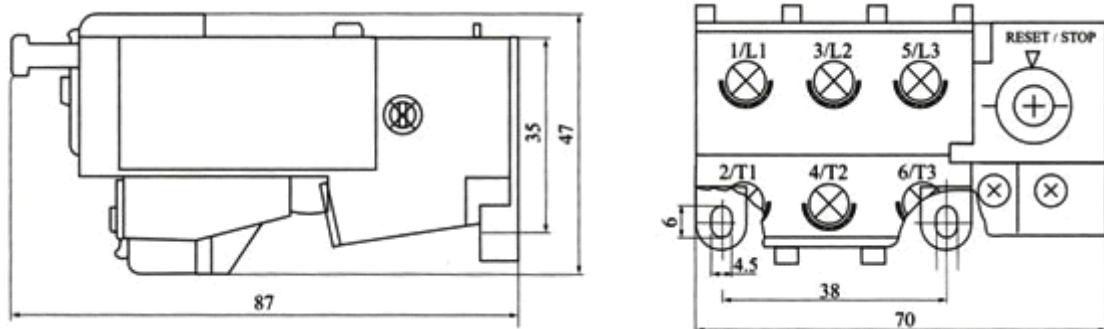
No	Times the setting current	Motion time			Start condition	Ambient temperature
1	1.05	>2h			cold state	20±5°C
2	1.2	<2h			heat state (Following the No.1 test)	
3	1.5	<4min				
4	7.2	10A	2s < Tp ≤ 10s	≤ 63A	cold state	
		10	4s < Tp ≤ 10s	>63A		

2.3 PHASE-LOSING MOTION CHARACTERISTIC

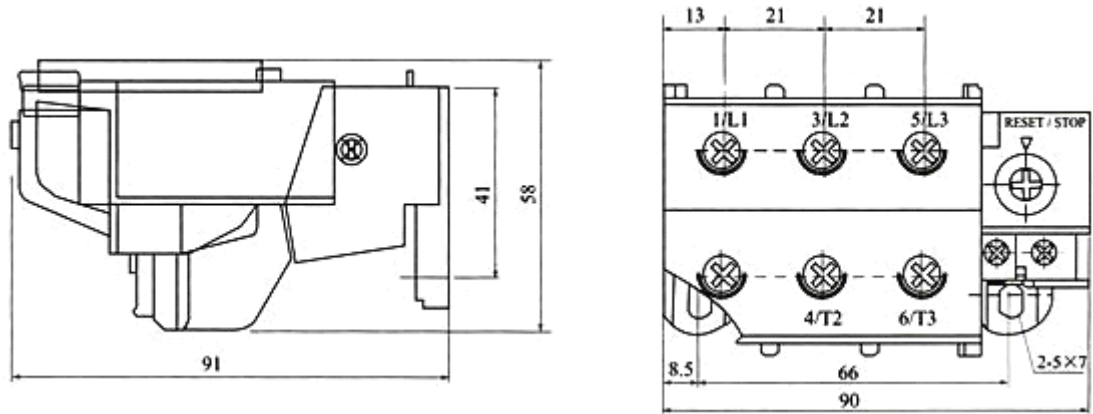
No	Times the setting current		Motion time	Start condition	Ambient temperature
	Any two phase	Another phase			
1	1.0	0.9	>2h	cold state	20±5°C
2	1.15	0	<2h	heat state (Following the No.1 test)	

3. Installation

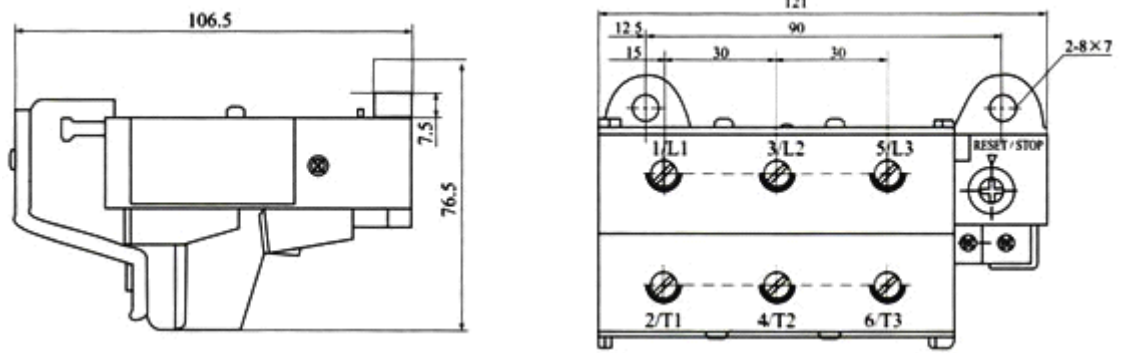
3.1 OUTLINE AND MOUNTING DIMENSIONS



JR36-20



JR36-63



JR36-160